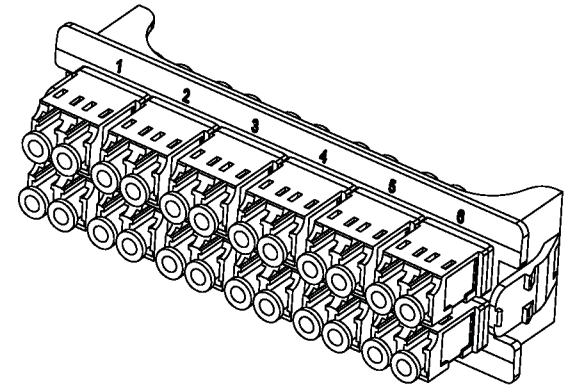
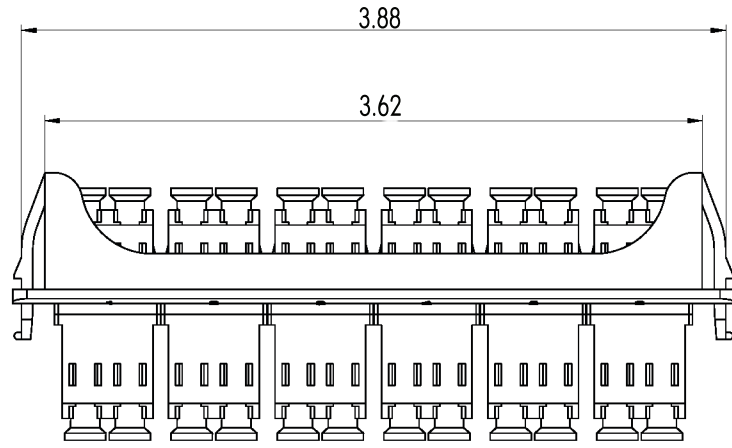
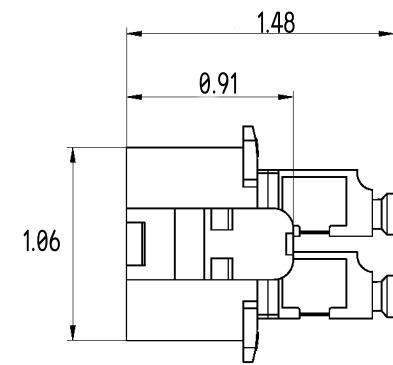
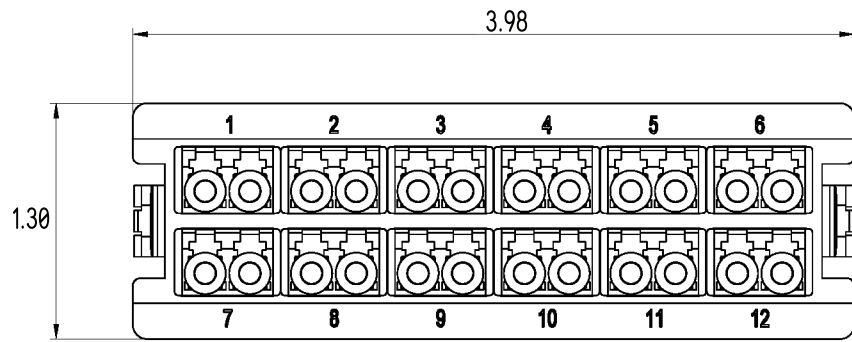


Name	Adapter panel	Model	IFP-OLC12DX-BG	Document NO.	SD-D29914-ENG	Version	REV.01
------	---------------	-------	----------------	--------------	---------------	---------	--------

Max Port	
Adapter Type	Port
SC	12
DLC	24



**Product description:**

- 1.Product size (wide-deep-high): 3.98in x 0.91in x 1.30in
- 2.Adapter panel material: Plastic; Colour: Black;
- 3.Applicable to IFR-1U, IFR-3U, IFR-4U