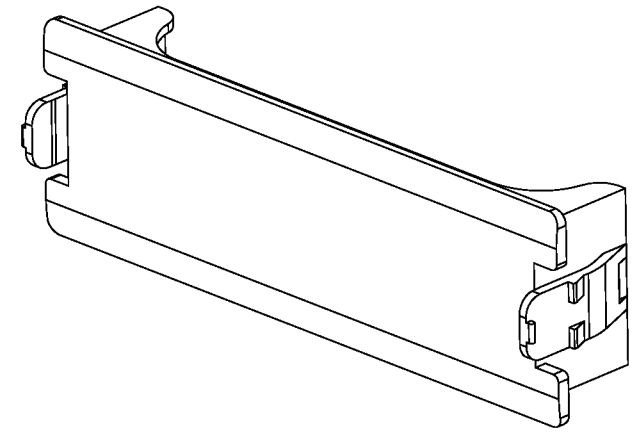
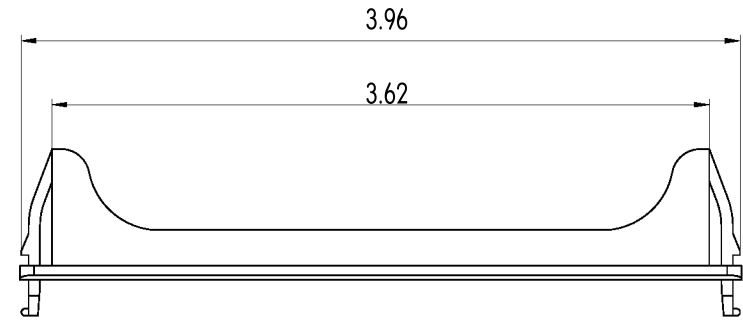
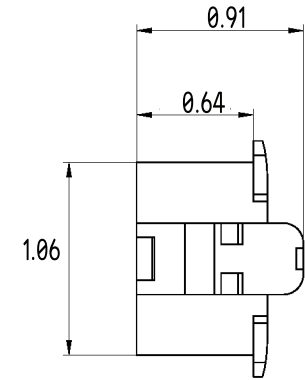
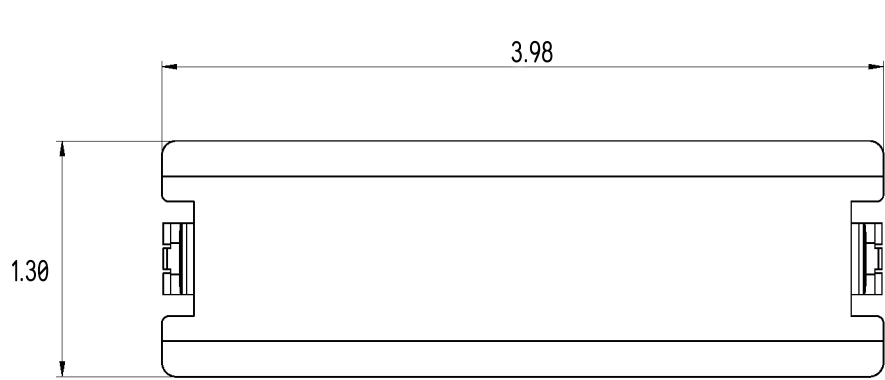


Name	Adapter panel	Model	IFP-OBLANK	Document NO.	SD-D29913-ENG	Version	REV.01
------	---------------	-------	------------	--------------	---------------	---------	--------



Product description:

- 1.Product size (wide-deep-high): 3.98in x 0.91in x 1.30in
- 2.Blank panel material: Plastic; Colour: Black;
- 3.Applicable to IFR-1U, IFR-3U, IFR-4U

Drawn By:ENGINEERING

Checked By:KELLY S.

Approved By:MICKEY J.