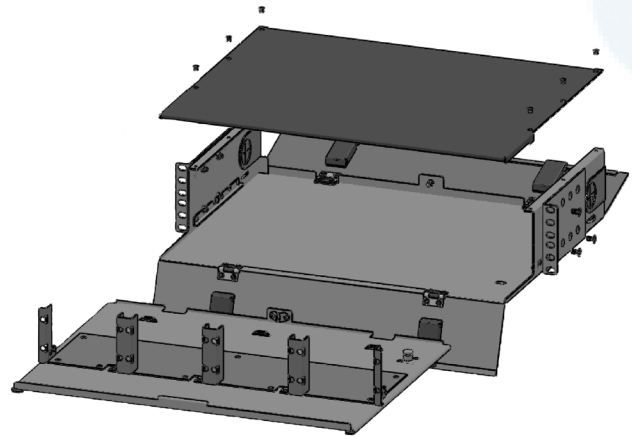
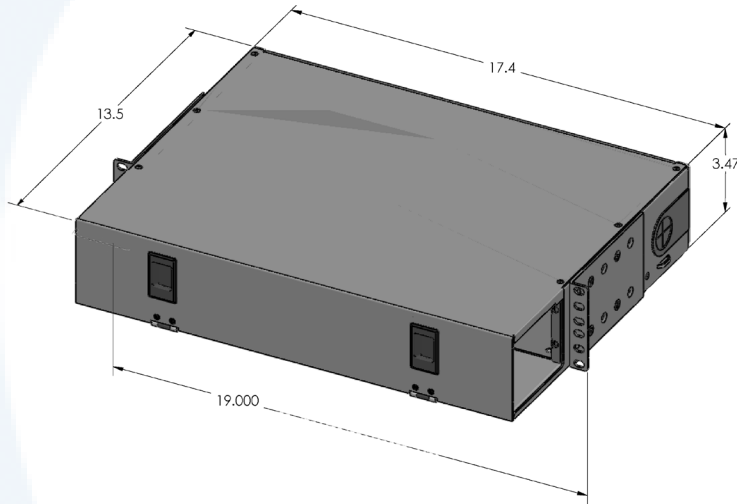




2U Panel - High Density

The High Density Fiber Management 2RU Patch Panel are rack mountable interconnect points specifically designed to manage dense fiber applications. Based on the IFO intermateability platform, the panel is fully compatible with Optical Cassettes, Passive Optical Coupler Modules, and solutions.



Features

- Steel and aluminum construction
- Textured beige or black powder coat finish
- Universal WECO/TIA 19"/23" rack compatibility
- LGX adapter plate/module mounting positions
- Slide-out tray with relief cut-outs for simplified connector access (1U and 2U)

Applications

- Data Centers
- Enterprise Network
- Telecommunications Closet
- Central Offices/Headends

Type	Depth (Inches)	Width (Inches)	Height (Inches)	Rack Units	Capacity	Unloaded Weight
2RU	11	17	3.5	2	(8) HD	9 lbs.

Description	Model Number	IFO Number
Fiber Management 2U Patch Panel, Black, Empty	HD2U	IFR-2U-HD

www.iFiberOptix.com

Delivering Tomorrow's Cabling Solutions Today